

ILS prides itself to build the highest quality lecterns around from thick aluminum profiles, blocks and plates, machined to a perfect fit and style. The lecterns are virtually free of maintenance for decades. In ILS products it is possible to remove a damaged part and renew it, or to make new fittings for future upgrades without affecting the rest of the installed system.

The Synergy GW-MS is the most perfect interactive PC presentation solution. An AIO PC holder is installed inside the working surface in such a way that the unique Microsoft Surface Studio is mounted with the monitor in its lowest position flush with the lectern head. This Synergy model is specially designed for the Microsoft Surface Studio and comes with two large internal cavities that can hold Crestron NVX350 or similar half rack devices on either side of the Microsoft PC foot. There are four buttons on the top panel of the product to control the connections between the main screen of the lectern and/or laptop, or other devices. There are also two USB 3.0 sockets and a holder with built-in charging cables for tablets and smartphones. The microphone socket is of the XLR shock-mount type. Synergy GW-MS version comes with one 2-level side table with cables covered and directly out of the lectern head, in visible to the audience. Table is moving up or down with the top. This makes it possible to use handwritten notes, laptop, or place a document camera on it. Rather than hand rails and because of the extension chambers inside the head there is hand space designed on the sides of the monitor with a little grip under the edges for optimal grip and comfort for the user. Top is placed on a motorized wide pillar with a height adjustment range up to 40 cm (15"+). Two buttons will help you to control it. In the lowest position, a seated person can freely use the system. For mobility and rock-solid stability of the lectern during the presentation, four side-ways rollers are embedded in the bottom plate. In addition, we will be pleased to engrave your logo on the front panel of the lectern, in case of using the system in formal events!



DIMENSIONS

Width	Top: 830 mm Side Plate: 460 mm x 385 mm Top + Side Plate: 1290 mm
Height	User side: min: 880 mm max: 1330 mm Audience Side: min: 990 mm max: 1440 mm
Weight	85 kg

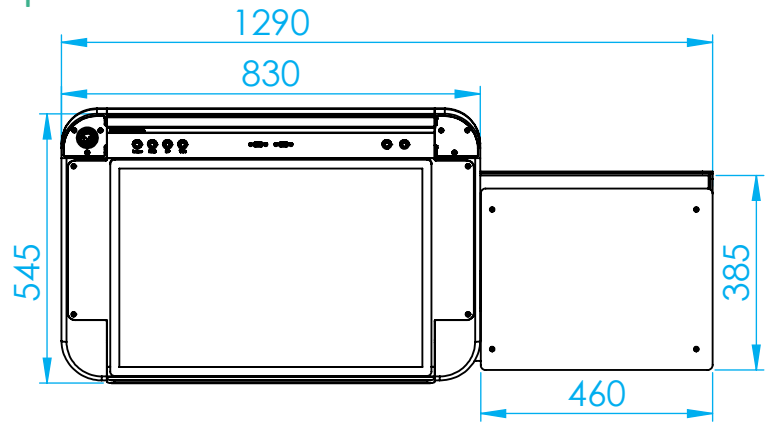
INTEGRATION

Display & PC	AIO PC: 28" Microsoft Surface Studio on articulating stand
Accessories	Switcher: ILS503 / 2 x half rack devices Audio: 1 x Microphone AKG CGN 99
Features	ILS holder for AIO PC Ultra Wide Phone/Tablet holder Height adjustment: Motorised Wide Pillar 40cm range height 6 x Buttons (2 x height control; 4 x Signal switch;) 1 x Side table 4 x Lockable smart castors or sideway rollers

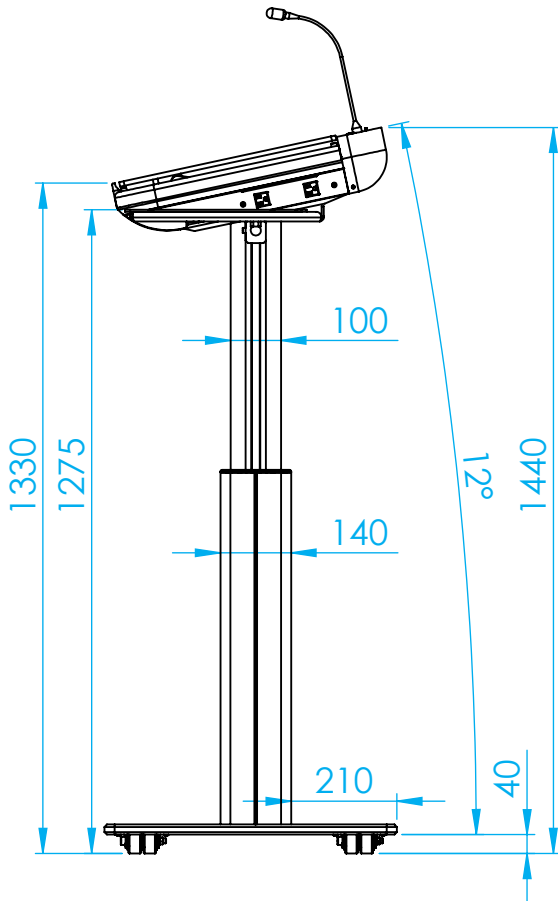
CONNECTIVITY

Top	1 x 3-Pin XLR Shock Mount for microphone 2 x USB 3.0 Sockets 3 x Charging cables (USB type-C; Lightning; micro USB;) 2 x AC power socket
Bottom	1 x HDMI; 1 x PC LAN; 1 x XLR microphone; 1 x 3.5mm Audio; 1 x AC Power; 1 x HDbaseT; 1 x Switcher Control;

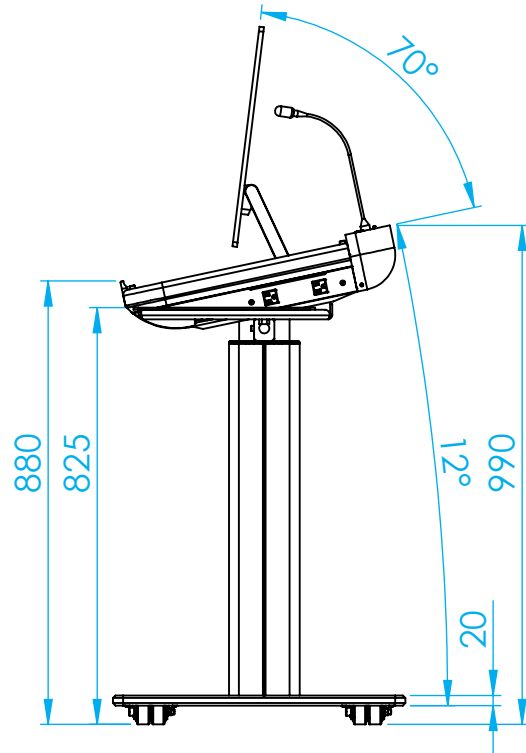
Top View



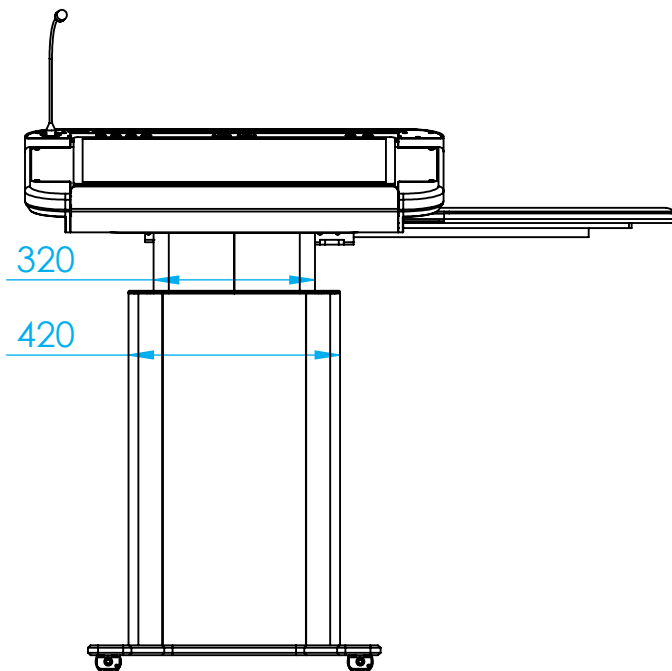
Right Side View - High



Right Side View - Low



User View



Bottom View

